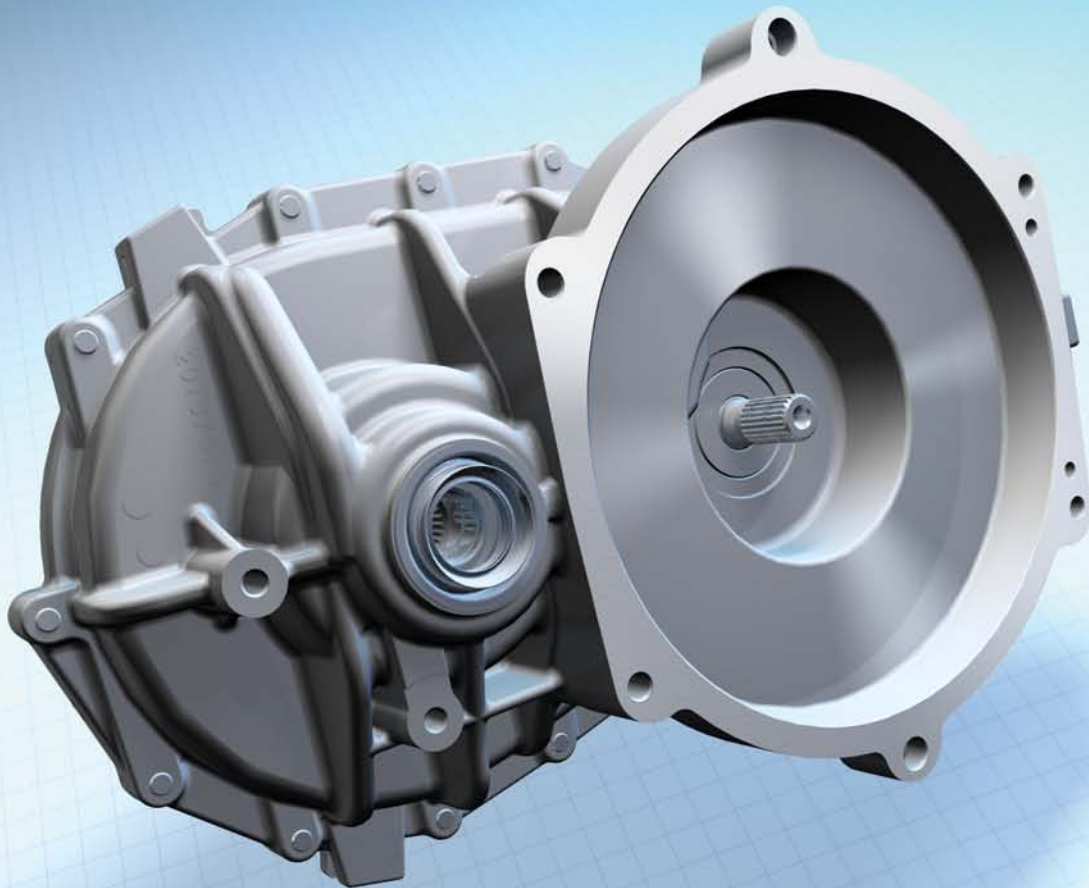


Spicer® Gearbox for Electric Vehicles

Introducing a new single-speed, electric gearbox designed specifically for the high-speed battery electric vehicle (BEV).



SPICER®
Drivetrain Products



The Gearbox Advantage

Dana's electric motor-driven gearbox offers better acceleration and higher torque for electric vehicles.

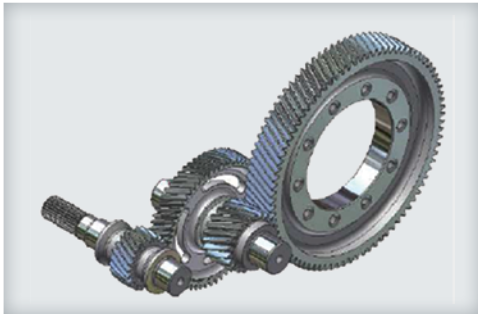


Spicer® Gearbox for Electric Vehicles

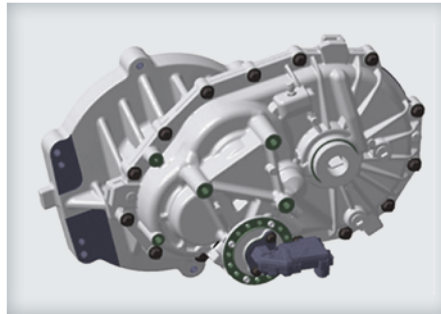
Dana's electric motor gearbox is designed for high-speed battery electric vehicles (BEV) and features a 10.86:1 gear ratio.

The Spicer® electric motor-driven gearbox offers major performance benefits over competing gearboxes and transmission products for electric vehicles. The matched gearbox and motor provide excellent torque transfer and acceleration capabilities beyond your expectations.

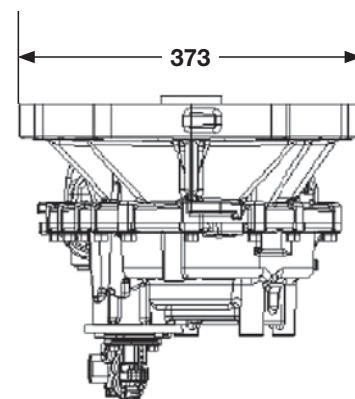
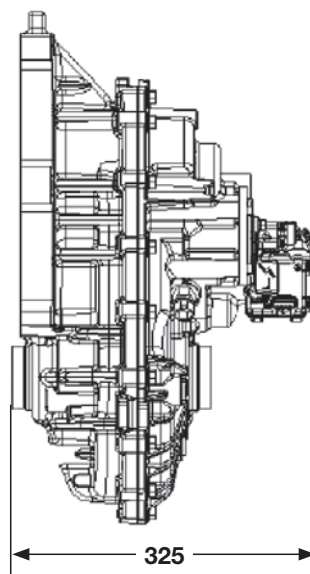
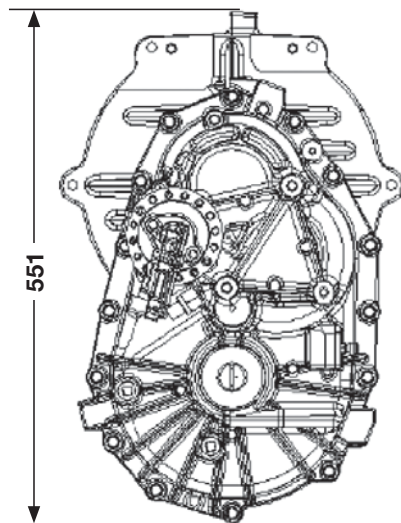
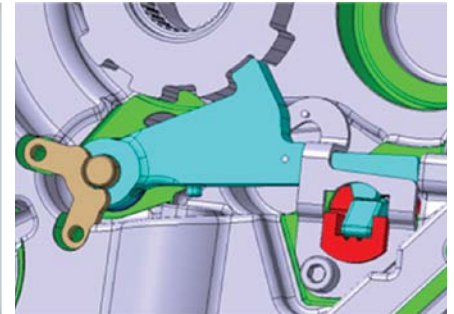
Features	Benefits
10.86:1 gear ratio	Converts high torque for increased acceleration
Maximum torque of 300 Nm	Enables drivers to reach highway speeds more quickly



Custom-made gearbox system provides a quiet, smooth experience for drivers.



The innovative e-brake parking system offers excellent braking reliability.



Dana Holding Corporation
 3939 Technology Drive
 Maumee, Ohio, USA 43537
 T: 419.887.3000
 F: 419.887.5961
www.dana.com



SPICER®
 Drivetrain Products

Application Policy

Capacity ratings, features, and specifications vary depending upon the model and type of service. Application approvals must be obtained from Dana; contact your representative for application approval. We reserve the right to change or modify our product specifications, configurations, or dimensions at any time without notice.