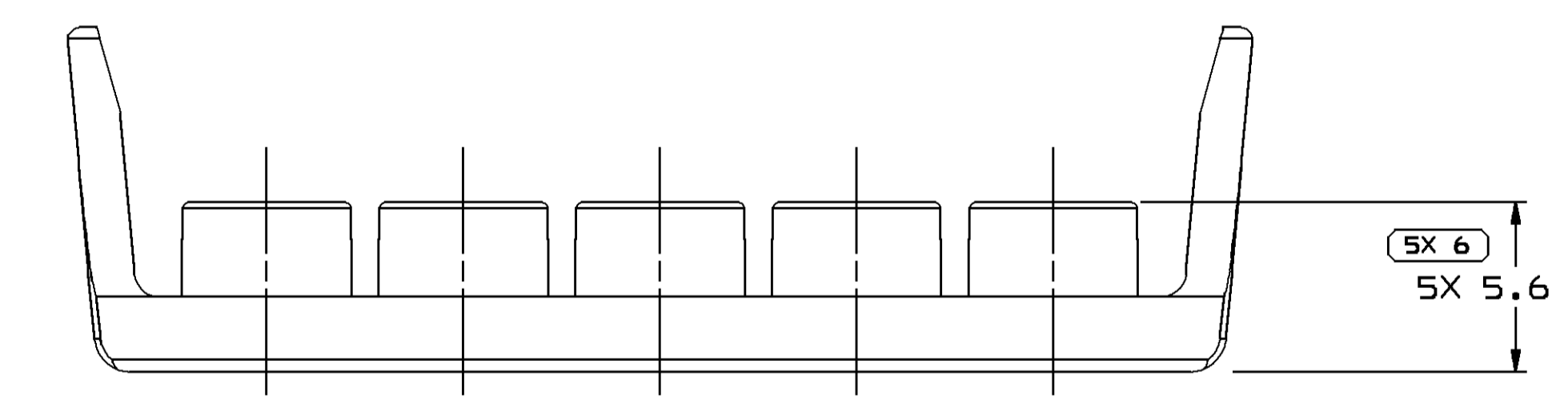
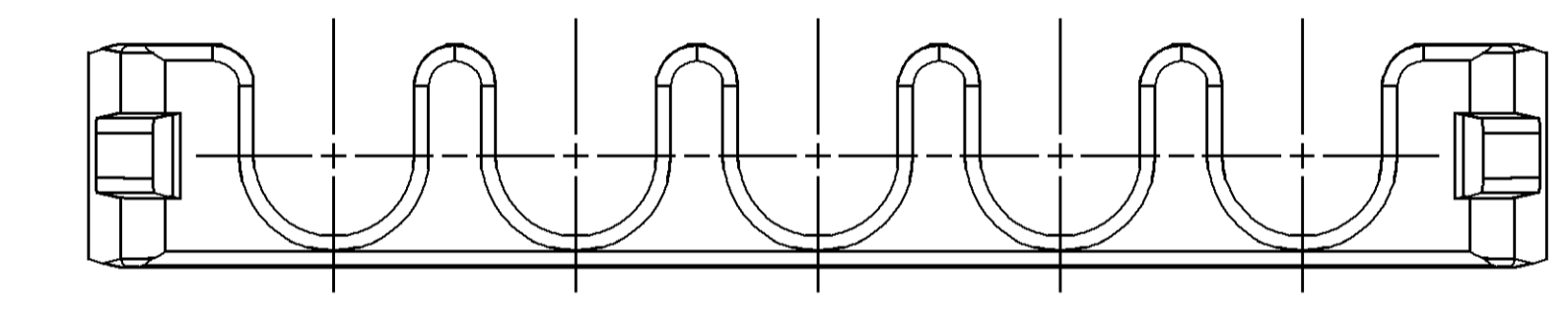
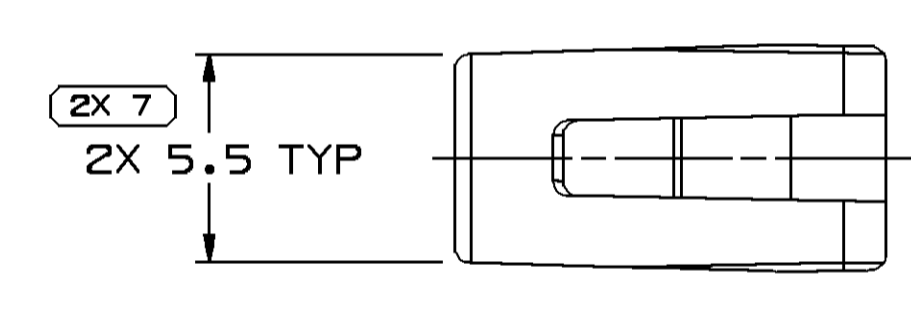
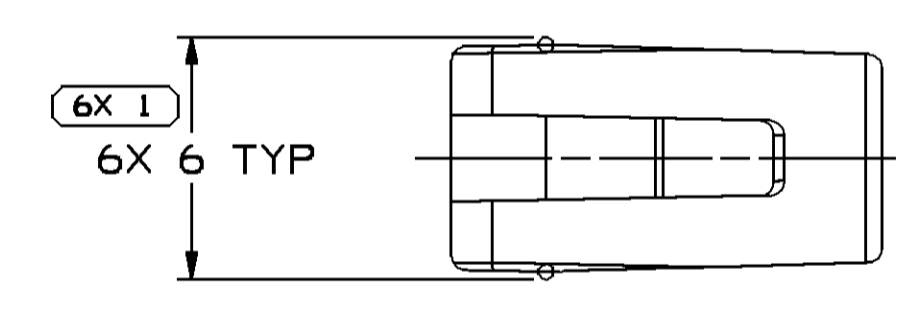
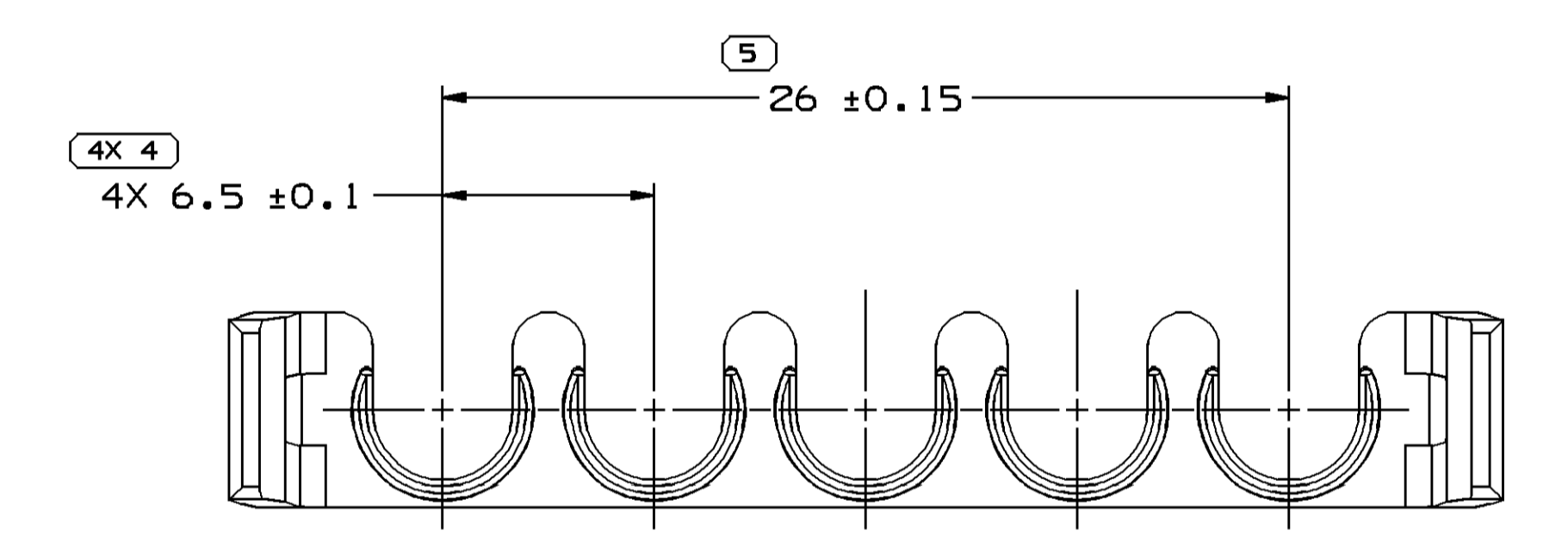
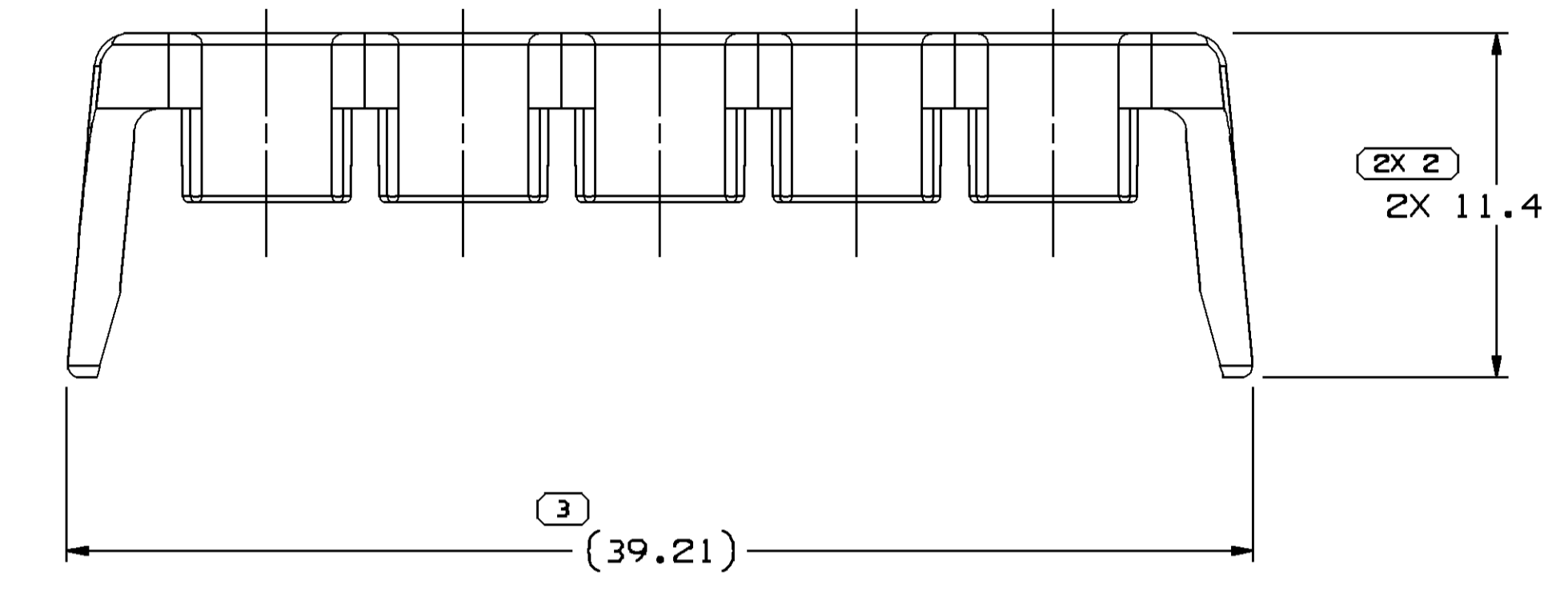
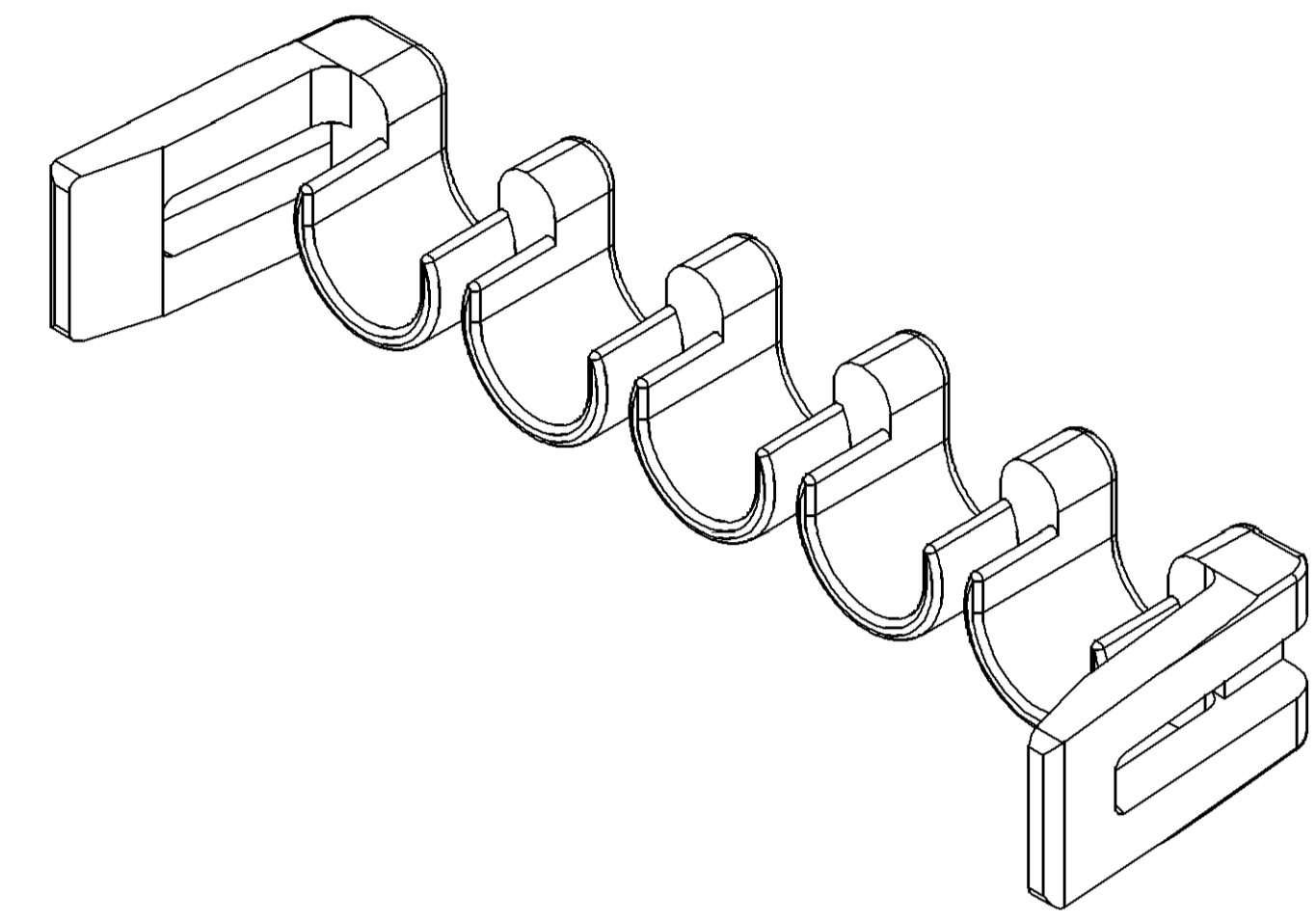


SYMBOL DEFINITION		TOTAL NO OF INSPECTIONS REQUIRED	MISSING SYMBOLS
A DIMENSION WITHOUT AN INSPECTION REPORT SYMBOL DOES NOT REQUIRE INSPECTION. IT MAY BE CONTROLLED ON THE INDIVIDUAL COMPONENT DRAWING.		21	NO MISSING SYMBOL NUMBER
		LAST NO. USED	7

DWG STATUS				REVISION HISTORY		AUTH		DR		AP/VD	
DATE	STG	REV	N/P	CHG	ZONE			STG	FRG	FRG	JSM
07MR02	R	001	-	-		RELEASED		221675	FRG	FRG	JSM
13AP09	R	01	AA	-		UPDATED MAT'L CALLOUT AND REMOVED MAT'L RECYCLING CODE NOTE		407661	EGR	GLG	DGL



**NOTES**

- UNLESS OTHERWISE SPECIFIED AND/OR INDICATED:  
DIMENSIONS ARE TO FACE OF VIEW SHOWN AND AUTOMATICALLY ROUNDED BY COMPUTER FOR INSPECTION (SEE MATH MODEL FOR PRECISE DIMENSIONS). FOR ALL OTHER DIMENSIONS NOT SHOWN BUT REQUIRED FOR TOOL BUILD, SEE MATH MODEL FOR PRECISE TOOL PATH DATA.
- THIS PRODUCT IS NOT CATEGORIZED AS AN APPEARANCE ITEM, MINOR IMPERFECTIONS INCLUDING, BUT NOT LIMITED TO, FLOW MARKS, COLOR BLEMISHES, GATE VESTIGE, AND SOFT FLASH THAT DO NOT AFFECT THE FIT, FORM, OR FUNCTION OF THE PART ARE PERMISSIBLE PER DPNP-4.7-CS-01.
- (2.3)X(0.1) DELPHI CORPORATE BRAND TO BE LOCATED ON ANY EXTERIOR SURFACE, PREFERABLY VISIBLE AT FINAL ASSEMBLY. OPTIONAL CONSTRUCTION FOR EXISTING TOOLING MAY BE "PED" OR NO LOGO.
- REFERENCE MATING COMPONENTS OR EQUIVALENT:  
ASM CONNECTOR 15326642 & 15326647

PART DRAWING	
STYLE	GMT - 360
VOLUME (Q/P)	0,482
DISTR CODE	D

UNLESS OTHERWISE SPECIFIED  
THIS DOCUMENT IS IN ACCORDANCE WITH ASME Y14.5M-1994 AS AMENDED BY THE 2003 DIMENSIONING AND TOLERANCE PRACTICE (Y14.5M-2003). ALL DIMENSIONS UNLESS OTHERWISE SPECIFIED ARE IN MILLIMETERS. UNLESS OTHERWISE SPECIFIED, DIMENSIONS ARE TO FACE UNLESS INDICATED OTHERWISE. DIMENSIONS ARE TO FACE UNLESS INDICATED OTHERWISE. DIMENSIONS ARE TO FACE UNLESS INDICATED OTHERWISE. DIMENSIONS ARE TO FACE UNLESS INDICATED OTHERWISE.

DIMENSIONAL RANGE (MM)		TOLERANCE UNLESS OTHERWISE SPECIFIED	
FROM	TO	ANGULAR TOLERANCE	ANGULAR TOLERANCE
> 0	> 30	±0.15	±1
> 30	> 70	±0.2	±1.2
> 70	> 100	±0.3	±1.5
> 100	> 150	±0.4	±1.8
> 150	> 200	±0.5	±2.0
> 200	> 250	±0.6	±2.2
> 250	> 300	±0.8	±2.5
> 300	> 400	±1.0	±3.0

**DELPHI**  
DELPHI PACKARD ELECTRICAL/ELECTRONIC ARCHITECTURE  
WARREN, OH

DR	DATE
APV01 FCO, RESENDIZ	07MR02
APV02 FCO, RESENDIZ	07MR02
APV03 JEFF, MENDEHALL	08MR02
APV04	
APV05	

SUBSTANCES OF CONCERN AND RECYCLED CONTENT PER DELPHI 10949001

MATERIAL: POLYAMIDE COMPOUND GRAY

DRAWING NAME: LOCK SECONDARY TPA 6T

DRAWING NUMBER: 15430895

SIZE	SCALE	FRAME NO	SHEET NO	STG	REV	N/P
A0	5:1	1	1	1	1	AA

# Mouser Electronics

Authorized Distributor

Click to View Pricing, Inventory, Delivery & Lifecycle Information:

[Aptiv:](#)

[15430895](#)