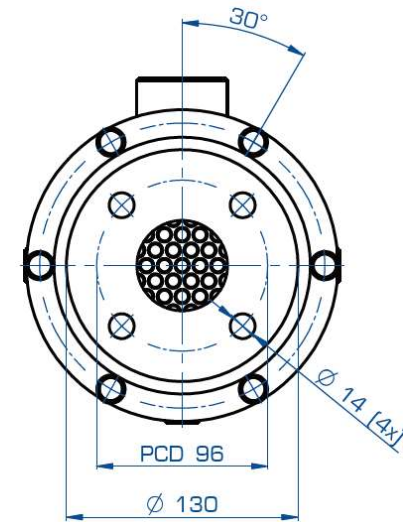
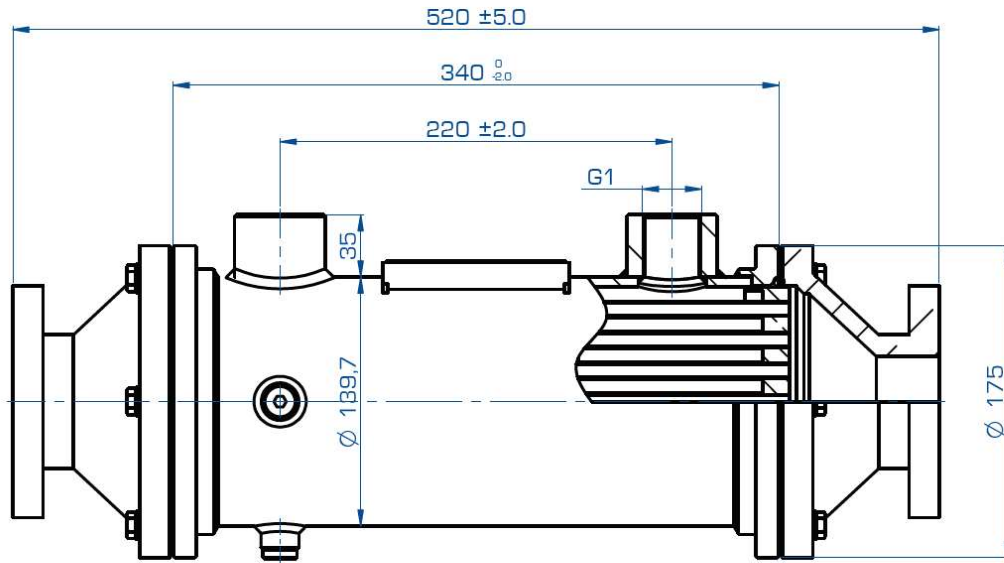
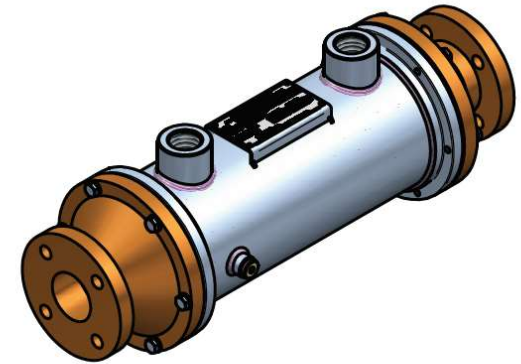


1

2

3

4



COOLING SURFACE
0,98m ²



Deliver Oilcooler with counterflanges and gaskets included

REV. DATE DESCRIPTION	UNIT OF MEASURE : mm	FORM AND POS. TOL. ACC. TO NEN ISO 1101	SURFACE ROUGHNESS ACC. TO NEN 3634
	PROJECTION	DRAWN : Jesper Bakker	DATE : 01-07-2013
	LINEAR AND CIRCULAR TOLERANCES UNLESS STATED DIFFERENTLY	SCALE : 1:3	CHECK : -
	NOMINAL DIMENSIONS	DESCRIPTION OC 140-80 2"FL(br) 1"BSP Single pass	
OVER - 6 30 100 300	DRAWING NUMBER 21-140080-010K-20FB-10DR-0302		REVISION A3
UP TO 6 30 100 300 1000	ART. NBR: 014082FB10		WEIGHT: 25 kg
TOL. ±0.1 ±0.2 ±0.3 ±0.5 ±0.8	SHEET : 1 OF 2		
ANGULAR TOL. UNLESS STATED DIFFERENTLY: +30°	Lelystraat 106 3364 AJ Sliedrecht, Holland		Tel: +31 (0) 184 413 789 Fax: +31 (0) 184 419 379
	E-mail: info@bloklandnonferro.nl Website: www.bloklandnonferro.nl		Blokland non-ferro bv

1

2

3

4

THIS DRAWING IS PROPERTY OF BLOKLAND NON-FERRO BV. IT IS NOT ALLOWED TO COPY OR LENT WITHOUT PERMISSION OF BLOKLAND NON-FERRO

A

B

C

A

B

C